

Textured Radii Kerb



SCAN HERE

Curves & arcs.

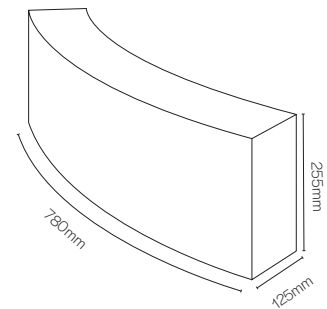
Textured Radii Kerbs is an extensive range including both concave and convex kerbs, so any type of bend, curve or arc can be created.

- Specially manufactured radius kerbs, either concave or convex
- Shot blasted textured finish
- Provides high quality detailing

Ef-Stop®



Finish

Pedestrian
Use

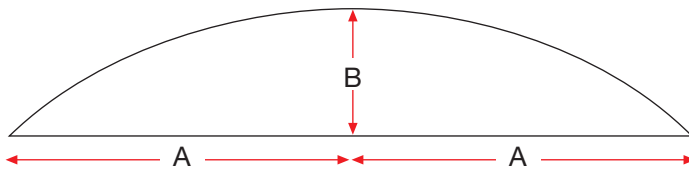
Sizes



Textured Radii Kerb

Calculating the radius of a curve

The size of any radius can be determined by measuring the length of a chord stretched between the arc and then measuring a perpendicular to that chord at the centre. This is illustrated in the diagram below. This is a handy equation often used on site to determine the size of an unknown radius that is to be kerbed, so that the correct size of radius kerbs can be used.



$$\text{Radius} = \frac{A^2 + B^2}{2B}$$

The size of a radius is ALWAYS measured to the face of the kerblines, whether the radius is internal or external.

Specification



Product type	Concrete Kerb
Manufactured to	BS EN 1340:2003
Breaking / Bending Strength: Transverse Test	Characteristic bending strength of 3.5 MPa with no individual result less than 2.8 MPa
Durability (Freeze-thaw)	≤ 1.0 kg/m ² as a mean with no individual value > 1.5 kg/m ² Class 3
Abrasion Resistance (mm)	≤ 23mm (Wide Wheel Abrasion Test)
Installed to	BS 7533-6:1999
Slip/Skid resistance	Mean polished skid resistance value (PSRV) >45, Mean unpolished skid resistance value (USRV) >45
NS Plus	Plus Q10 110 Create 45-20-64/370
Applications	As per Textured Kerb
Energy used	100% renewable energy
Water used	100% from our rainwater harvesting system and groundwater bore hole
Recycled content	Not less than 5%
EPD Carbon footprint	8.86kgCo2e/LM
Recyclable	100% of this product can be recycled
Manufacturing & Delivery	From one location within the UK
breem rating www.bre.co.uk	Refer to the Green Guide to Specification, 4th Edition 2009.
Tobermore products are manufactured in accordance with an accredited ISO 9001:2015 quality. Manufacturing facilities are accredited to ISO14001:2015 Environmental Management. The company publish environmental labels and declarations in accordance with BES 6001.	

Contact Us

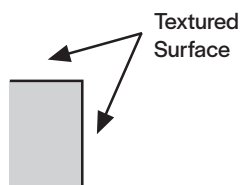
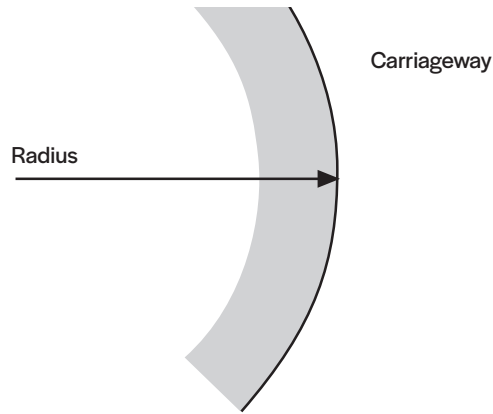
GB: 0844 800 5736
 NI: 028 7964 2411
 ROI: 048 7964 2411

Email

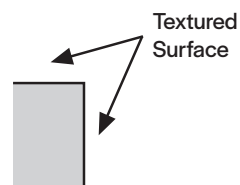
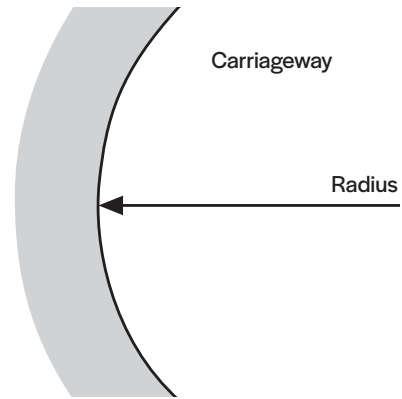
technical@tobermore.co.uk
 sales@tobermore.co.uk

Textured Radii Kerb

Convex (external) Radius



Concave (internal) Radius



Stock

product	size (mm)	no. per quarter circle	colours available	in stock	no. per pack	weight kg per pack GB	weight kg per pack NI/ROI
Textured Radii Kerb 125mm (*radius of curve)	125 x 255 x 780 (1m*)	2	Natural	YES	16	930	930
	125 x 255 x 780 (3m*)	6	Natural	YES	16	922	922
Textured Internal or External	125 x 255 x 780 (4m*)	8	Natural	YES	16	922	922
	125 x 255 x 780 (5m*)	10	Natural	YES	16	922	922
	125 x 255 x 780 (6m*)	12	Natural	YES	16	942	942
	125 x 255 x 780 (9m*)	18	Natural	YES	16	930	930

Natural



Contact Us

GB: 0844 800 5736
 NI: 028 7964 2411
 ROI: 048 7964 2411

Email

technical@tobermore.co.uk
 sales@tobermore.co.uk