

Secura Grand

mortar-free retaining wall

- Fast to build
- Cost effective
- Engineered for strength
- Vibrant long-lasting colours
- Can be combined with Geogrid to form reinforced soil walls for retaining structures

product specifications

Product type	Concrete Block
Manufactured to	BS EN 771-3:2011
Surface Finish	Processed to give aged antique appearance
Efflorescence	Minimum 12 hour vapour curing to significantly reduce the possibility of efflorescence
Strength	Typical tensile splitting strength of >30N/mm ²
Design and Installation to	BS 8002:2015
BS	Plus: D41 310 Create: 45-25-66/320
Applications	Can be built as a gravity, engineered reinforced or concrete backfilled retaining wall. Please refer to Tobermore's Secura Grand installation guidelines or consult with Tobermore for design advice.
Energy used	100% renewable energy
Water used	100% from our rainwater harvesting system and groundwater bore hole
Recycled content	Not less than 10%
Carbon Footprint	5kgCo ² e/ea
Recyclable	100% of this product can be recycled
Manufacturing & Delivery	From one location within the UK
breedm rating www.bre.co.uk	Refer to the Green Guide to Specification, 4 th Edition 2009.

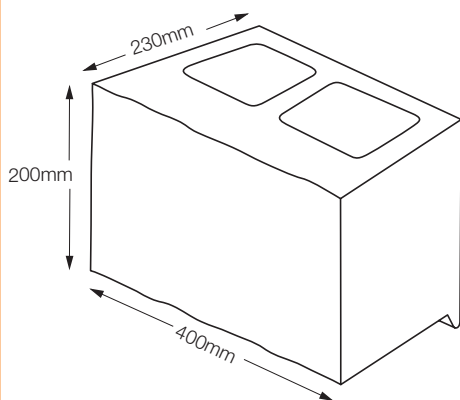
Tobermore products are manufactured in accordance with an accredited ISO 9001:2015 quality system. Manufacturing facilities are accredited to ISO14001:2015 Environmental Management. The company publish environmental labels and declarations in accordance with BS EN ISO 14021:2016 and BES 6001.



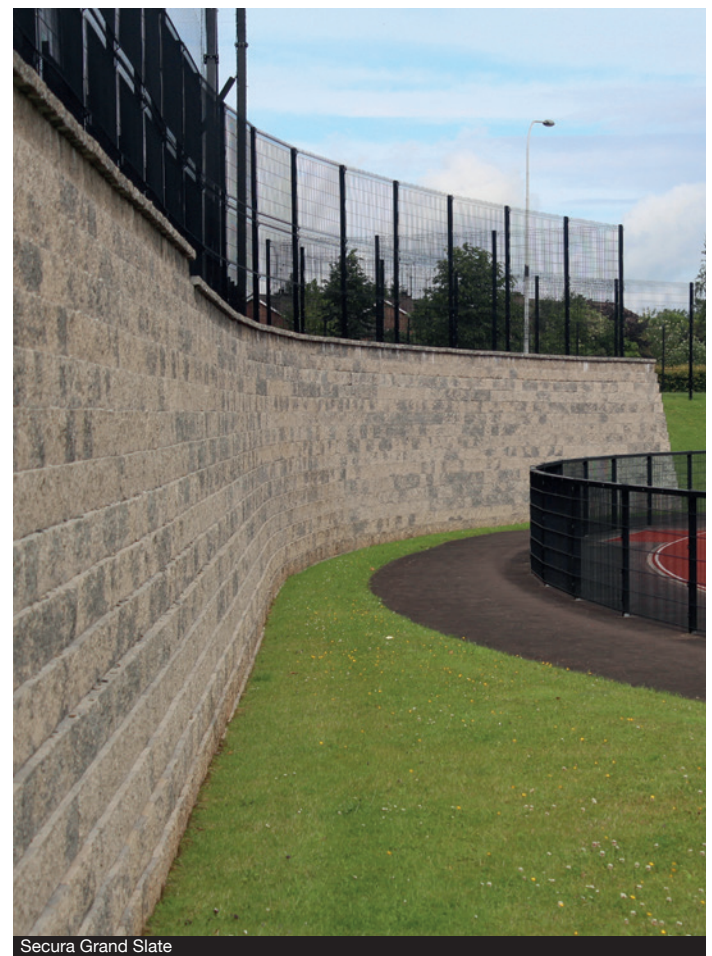
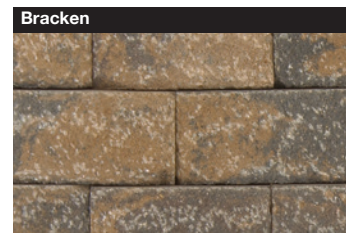
Secura Grand segmental retaining wall system
BBA Roads and Bridges Certificate 15/H230



product profile



colours



Secura Grand Slate

product	size (mm)	colours available	in stock	m ² per pack	no. per m ²	no. per pack	weight (kg) per pack
SECURA GRAND BIM	400 x 230 x 200	Bracken, Heather, Slate	YES	3.84	12.5	48	1288
SECURA GRAND CORNERS	430 x 230 x 200	Bracken, Heather, Slate	MADE TO ORDER	-	-	48	1464
SECURA COPING	300/235 x 330 x 70 (tapered coping)	Bracken, Heather, Slate	YES	-	3.77 LM	99	1403

BIM This product is available to download from our website in BIM Level 2 format.

Refer to all instructions and warnings on our website