

# Secura Grand

mortar-free retaining wall

- Fast to build
- Cost effective
- Engineered for strength
- Vibrant long-lasting colours
- Can be combined with Geogrid to form reinforced soil walls for retaining structures

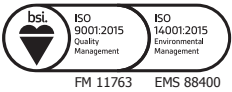
## product specifications

<b>Product type</b>	Concrete Block
<b>Manufactured to</b>	BS EN 771-3:2011
<b>Surface Finish</b>	Processed to give aged antique appearance
<b>Efflorescence</b>	Minimum 12 hour vapour curing to significantly reduce the possibility of efflorescence
<b>Strength</b>	Typical tensile splitting strength of >30N/mm <sup>2</sup>
<b>Design and Installation to</b>	BS 8002:2015
<b>BS</b>	<b>Plus:</b> D41 310 <b>Create:</b> 45-25-66/320
<b>Applications</b>	Can be built as a gravity, engineered reinforced or concrete backfilled retaining wall. Please refer to Tobermore's Secura Grand installation guidelines or consult with Tobermore for design advice.
<b>Energy used</b>	100% renewable energy
<b>Water used</b>	100% from our rainwater harvesting system and groundwater bore hole
<b>Recycled content</b>	Not less than 10%
<b>Carbon Footprint</b>	5kgCo <sup>2</sup> e/ea
<b>Recyclable</b>	100% of this product can be recycled
<b>Manufacturing &amp; Delivery</b>	From one location within the UK
<b>breedm rating</b> www.bre.co.uk	Refer to the Green Guide to Specification, 4 <sup>th</sup> Edition 2009.

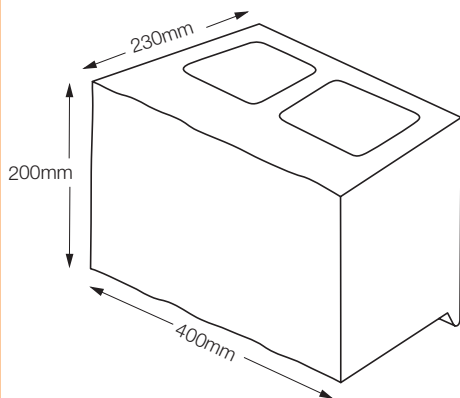
Tobermore products are manufactured in accordance with an accredited ISO 9001:2015 quality system. Manufacturing facilities are accredited to ISO14001:2015 Environmental Management. The company publish environmental labels and declarations in accordance with BS EN ISO 14021:2016 and BES 6001.



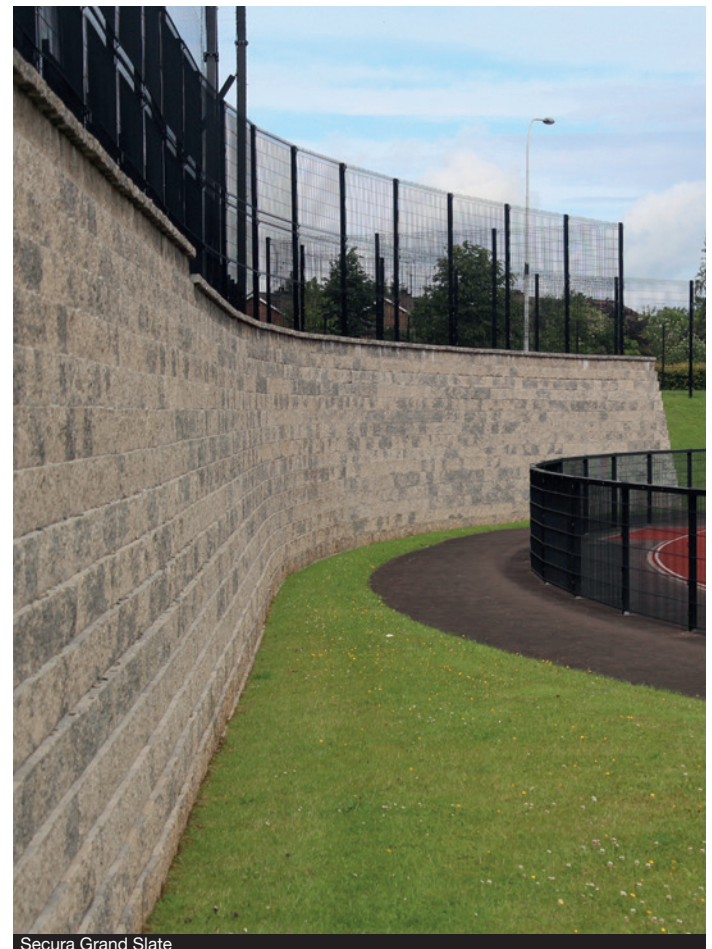
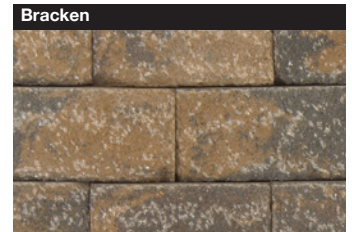
**Secura Grand segmental retaining wall system**  
BBA Roads and Bridges Certificate 15/H230



## product profile



## colours



Secura Grand Slate

product	size (mm)	colours available	in stock	m <sup>2</sup> per pack	no. per m <sup>2</sup>	no. per pack	weight (kg) per pack
SECURA GRAND BIM	400 x 230 x 200	Bracken, Heather, Slate	YES	3.84	12.5	48	1288
SECURA GRAND CORNERS	430 x 230 x 200	Bracken, Heather, Slate	MADE TO ORDER	-	-	48	1464
SECURA COPING	300/235 x 330 x 70 (tapered coping)	Bracken, Heather, Slate	YES	-	3.77 LM	99	1413

**BIM** This product is available to download from our website in BIM Level 2 format.

Refer to all instructions and warnings on our website